



*Date: 26.04.2017*

*Place: Aalborg University*

# Knowledge **FOR** Resilient soCiEty

**LLL modalities at DTU**

*Danmarks Technical University  
Department of Civil Engineering  
Section for Building Design  
Fire Safety Group*



Co-funded by the  
Erasmus+ Programme  
of the European Union





## Master education – why?

- A master is relevant for person's who wants a higher competence by a education at master level
- A master education combines theory and practice
- The education is scheduled so that the candidate participates while working.
  
- The education is research based
- The participants are from companies, branches and authorities

## The participant gets:

- Access to the newest knowledge in research within the area
- Will develop his or her personal and professional competences
- Will enhance and build their networks



## Bekendtgørelse om deltidsuddannelse ved universiteterne (deltidsbekendtgørelsen)

### versigt (indholdsfortegnelse)

Område

Tilrettelæggelse

Adgangskrav, indskrivning og frister

Deltagerbetaling

Tilskudsbetingelser

Andre tilskudsbestemmelser

Andre bestemmelser

Ikrafttræden

I medfør af § 8, stk. 1, § 19, stk. 5, og § 34, stk. 1, i lov om universiteter (**universitetsloven**)  
*se this font*

## Bekendtgørelse om masteruddannelser ved universiteterne (masterbekendtgørelsen)

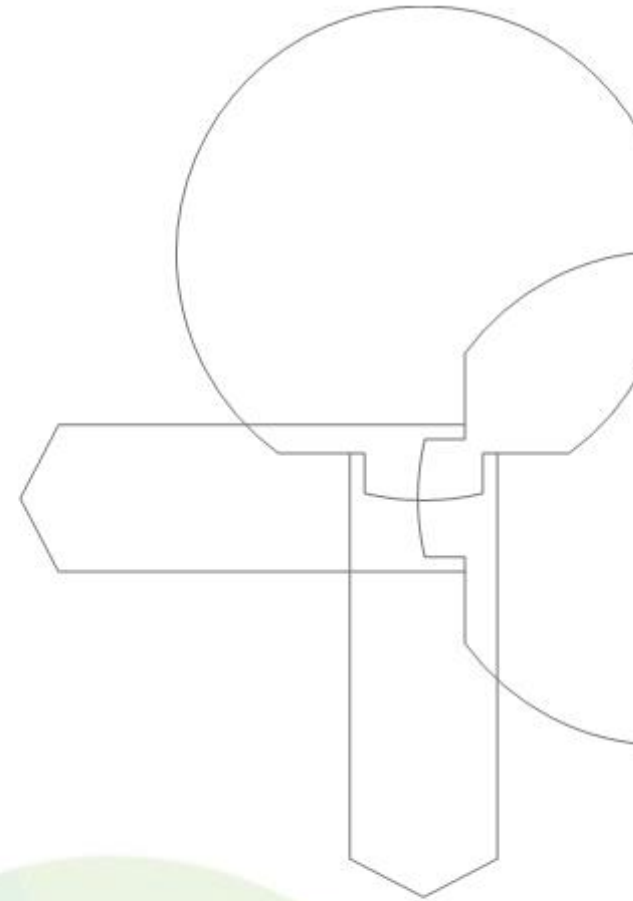
Uddannelsernes overordnede formål  
Tilrettelæggelse m.v.  
Adgangskrav m.v.  
Indhold m.v.  
Eksamen m.v.  
Studieordning  
Andre bestemmelser  
Ikrafttræden og overgangsbestemmelser

I medfør af § 8, stk. 1, og § 34, stk. 1, i lov om universiteter (**universitetsloven**), jf. lovbekendtgørelse nr. 985 af 21. oktober 2009, og § 11, stk. 2, § 14, stk. 4, § 15, stk. 5, og § 19, nr. 1, litra a, i lov om erhvervsrettet grunduddannelse og videregående uddannelse (videreuddannelsessystemet) for voksne, jf. lovbekendtgørelse nr. 1049 af 9. november 2009, fastsættes:



## Master education at DTU

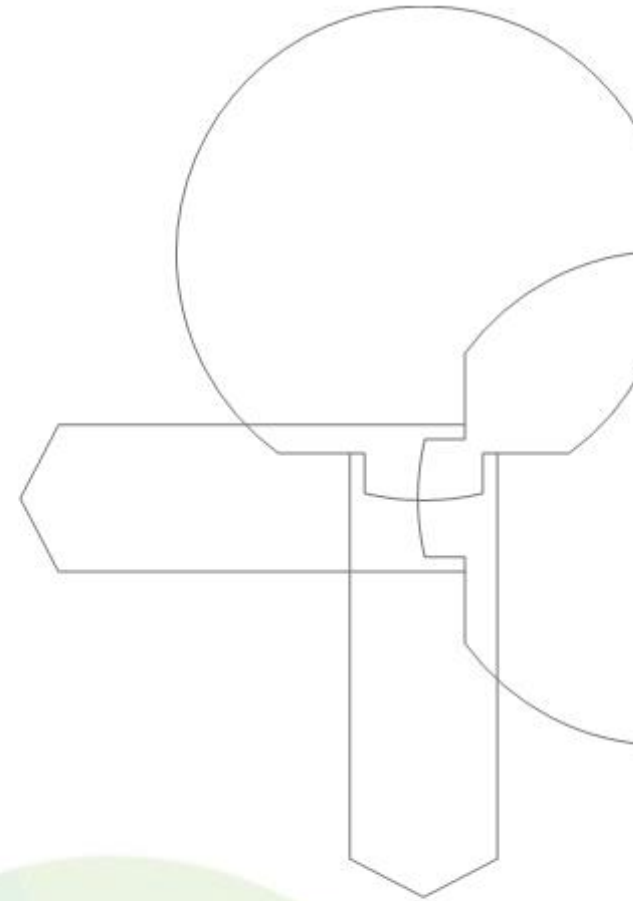
- Master in Fire Safety
  - Master in Food quality and Safety
  - New: Master in Wind Energy (online)
  - DTU's Executive MBA
- 
- Flexible master
  - Free place regulation
  - *Special designed courses*  
DTU offers single course that are short and directed to industries in a number of subjects





## Part time education

- A master education takes 2 years (4 semesters)
- The total work is 60 ECTS (1 year full time study)
- The student may choose to take the education as single modules
- Applicants shall have a technical / nature science background and 2 years working experiences in a related field (Executive MBA – bachelor and 5 years working experiences)
- All the master education require payment by the participants





## Master in Fire Safety

- Since 1999 the Technical University of Denmark (DTU) has offered a 'Master in Fire Safety' as an open education.
- The master is aimed at persons who will lead and coordinate tasks within fire technology both in private companies and in the public sector.
- If all modules are attended, the duration of the education is typically 4 half years (semesters), where the working load is corresponding to half time.
- The courses are to a great extent taught as remote learning via the Internet containing 3 meetings with duration of 1½-2 days.
- The typical availability is 3 courses per semeste.





## Master in Fire Safety

The master in fire safety is a research based master education

The goal is to provide students with practical professional knowledge and related educational background after education within fire safety

The master provides knowledge, skills and competences which qualifies to be in charge of high level functions in companies and institutions

Provides access to the newest research

Application:

- Fire engineering and consultancy for engineering companies

- Fire safety permission for buildings by authorities

- Fire safety in product development – e.g. manufacturer of building materials

- Fire testing

- Fire inspections and authorised fire inspector, emergency response brigade





## Master in Fire Safety

**0. semester: Engineering mathematics and physics for building constructors**

**1. semester**

**Fire chemistry**

**Building fire engineering**

**Fire dynamics**

**2.semester**

**konstruction fire safety and engineering**

**industrial fires**

**Fire modelling**



## Master in Fire Safety

### 3. semester

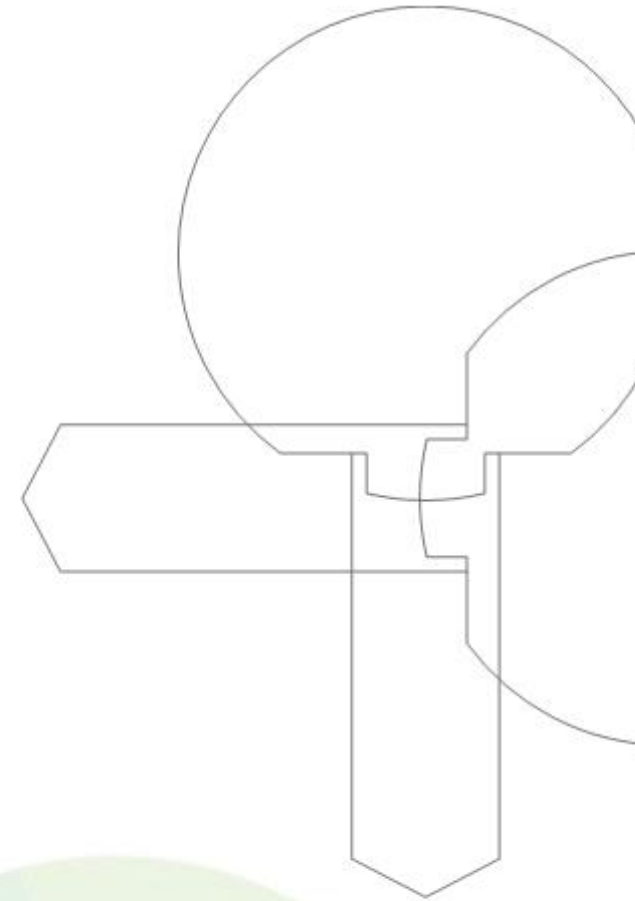
Fire Risk management

Dimensioning in fire engineering

Complex buildings

### 4. semester

Individual final fire engineering project





## Flexible Master education

- *Option to choose*
- *Implies the opportunity to choose education across established study lines*
- *The student defines its own master education*
- *Defined and controlled by the general study rules for all master educations and for the flexible master education*
- *The student establishes a study plan that is approved by a supervisor (tutor) and the head of studies*
- *The study plan includes 9 courses from DTU course catalogue that equals 45 ECTS and afterwards a final project of a 3 month duration (15 ECTS)*
- *Total 60 ETCS (= 1 year full time studies)*
- *The education is during daytime together with ordinary engineering students from different studidirections as well as courses of different sizes and format.*

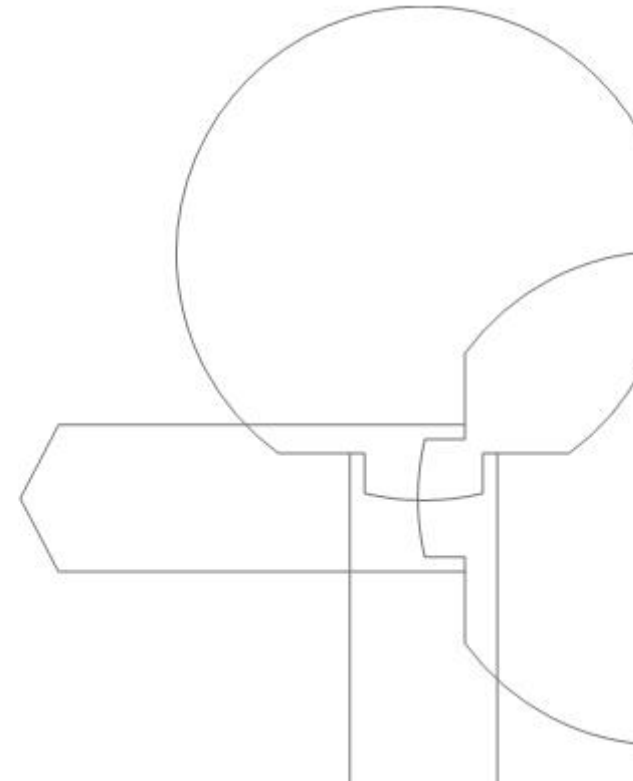


## LLL at DTU - resumee

1. **Master in Fire Safety**
2. *Master in Food quality and Safety*
3. *Master in Wind Energy (online)*
4. *DTU's Executive MBA*

5. **Flexible master**
6. *Free place regulation*
7. *Special designed courses*

*DTU offers single course that are short and directed to industries in a number of subjects*





Co-funded by the  
Erasmus+ Programme  
of the European Union



Thank you  
for your attention

*Contact info about the presenter:*

*Frank Markert*

*fram@byg.dtu.dk*



**Knowledge FOR Resilient soCiEty**